

低眩光景觀矮燈

MUSHROOM I

BAM Series

本系列矮燈設計多款彩色頂部造型蓋板，可有效將光導至地面，避免向上眩光。全周光設計散射均勻，營造照明氛圍。可應用於中庭景觀、公園步道、休憩園區及公共廣場照明。

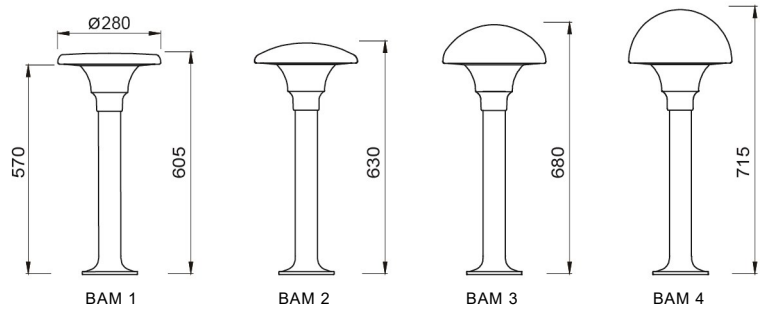
This series of low lights are designed with a variety of top-shaped cover plates, which can effectively guide the light to the ground and avoid upward glare. The light is scattered evenly throughout the circumference to create a lighting atmosphere. It can be used for atrium landscapes, park trails, recreational parks and public square lighting.



型號 Model	光源 Light source	瓦數 Wattage	色溫 CCT	額定電壓 Voltage
BAM 1	LED	13W	3000K	220V / 60HZ
BAM 2	LED	13W	3000K	220V / 60HZ
BAM 3	LED	13W	3000K	220V / 60HZ
BAM 4	LED	13W	3000K	220V / 60HZ

燈體 | 壓鑄鋁
 燈罩 | 聚碳酸酯
 燈柱 | 鋁擠型
 底座 | 鑄鋁
 銜接座 | 鑄鋁

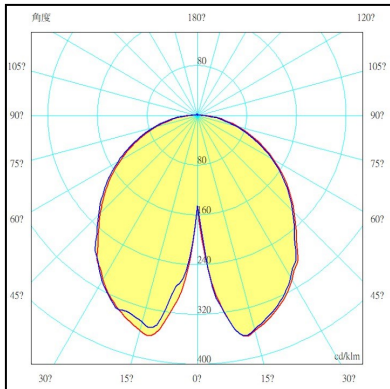
Luminaire | Die-cast aluminium
Lamp cover | PC
Pole | Aluminum extrusion
Base | Cast aluminium
Adapter | Cast aluminium



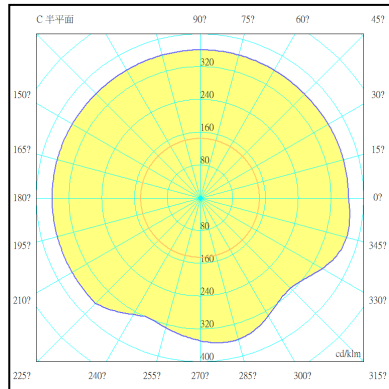
Unit:mm



PHOTOMETRY



— 00 / 180 PLANE — 90 / 270 PLANE



0.0 — 12.5 —

